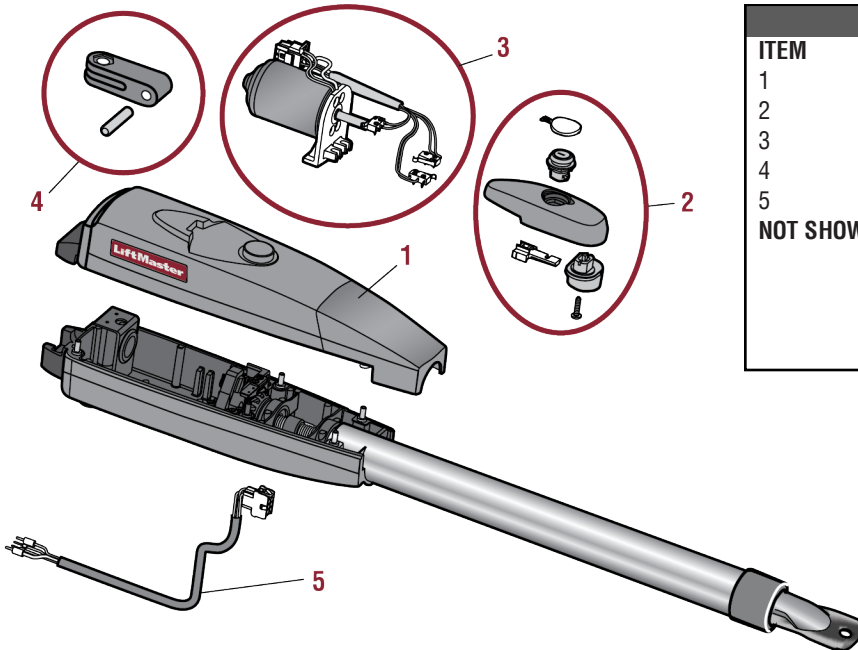
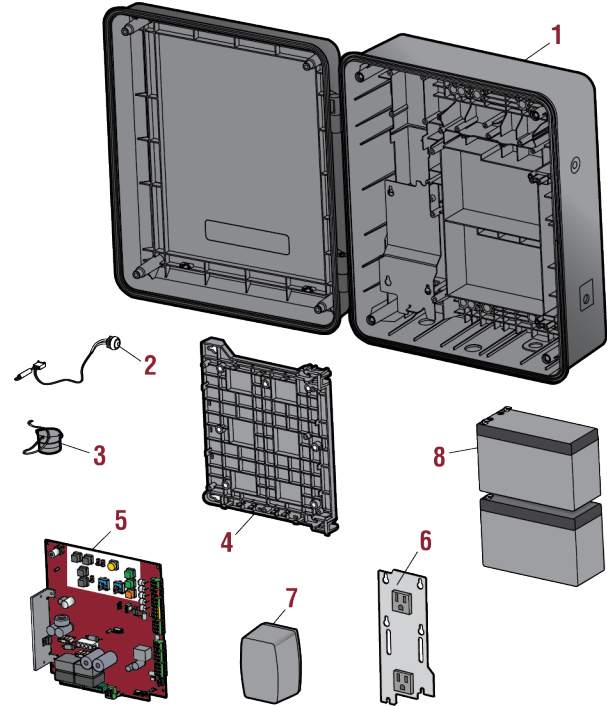


REPAIR PARTS

STANDARD CONTROL BOX

ITEM	PART NUMBER	DESCRIPTION
1	K74-39307-2	Standard Plastic Control Box Only
2	K94-36408-2	Reset Switch with Product ID
3	K94-36411	Piezo Alarm
4	K75-36635	Control Board Bracket
5	K1D8388-1CC	Control Board
6	K76-36296-1	Outlet
7	APOW3	Transformer
8	K74-30762	Batteries (2)
NOT SHOWN		
	K94-36274-1	7AH Battery Harness
	K77-36541	Antenna
	LA400CONTUL	Standard Plastic Control Box with Control Board
	K74-30941	ATC Fuse Kit Includes 20 Amp (1), 15 Amp (2)



GATE OPERATOR ARM

ITEM	PART NUMBER	DESCRIPTION
1	LA400DC	Primary Arm
2	41ASWG-442SA	Release Lever
3	41ASWG-438SA	Motor with Limit Switch Harness
4	41ASWG-0014SA	Rear Connector
5	41ASWG-489	Cable 24 V with Connector
NOT SHOWN		
	041ASWG-0119	Release Key
	K77-19130	Hardware Bag Complete with: Gate bracket, post bracket, pull-to-open bracket and hardware