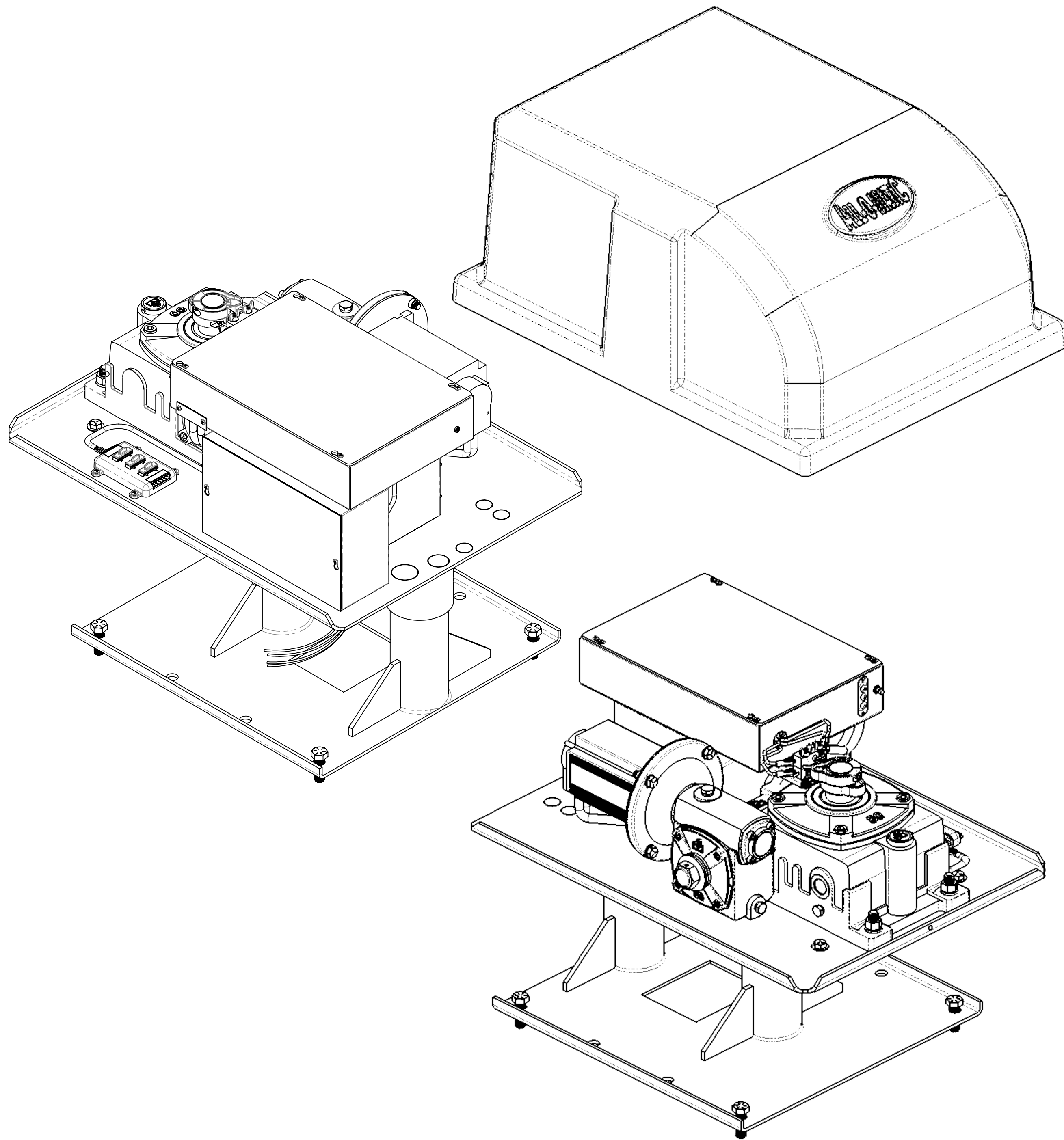


4

3

2

1



ITEM NO.	DESCRIPTION	PART NUMBER	QTY.
1	FRAME ONLY	SW-325FM	1
2	PAD MOUNT	SPD-325	1
3	POST MOUNT	SPT-325	1
4	GEAR BOX	GBX-325	1
5	BRUSHLESS DC 1/2 HP MOTOR	MTR-1500	1
6	BRUSHLESS DC C-FACE MOTOR BRACKET	MTR-B325	1
7	CONTROL BOX ASSEMBLY	CBX-AY325	1
8	CONTROL BOX	CBX-325	1
9	CONTROL BOX DC CONTROL BOARD - 1/2 HP	BLDC-ULPCB	1
10	CONTROL BOX RADIO RECEIVER STRIP	COM-1003	1
11	CONTROL BOX RESET PUSH BUTTON	COM-1004	1
12	CONTROL BOX ALARM BUZZER	COM-1005	1
13	CONTROL BOX COVER	CBC-913	1
14	CONTROL BOX LINE-IN HARNESS	COM-1014	2
15	LIMIT SWITCH ASSEMBLY	LSA-AY325	1
16	LIMIT SWITCH	COM-1007	2
17	LIMIT SWITCH COLLAR	COM-1012	2
18	LIMIT SWITCH WIRE HARNESS	LSH-325	1
19	LIMIT SWITCH MOUNT BRACKET	LSB-325	1
20	POWER SUPPLY BOX ASSEMBLY	PSB-AY325	1
21	POWER SUPPLY BOX	PSB-325	1
22	POWER SUPPLY BOX COVER	PSC-325	1
23	POWER SUPPLY BOX TRANSFORMER	TFR-480	1
24	POWER SUPPLY BOX BOARD	EMI-PCB	1
25	POWER SUPPLY WIRE HARNESS	PSH-325	1
26	BRIDGE RECTIFIER	COM-1006	1
27	POWER SUPPLY BOX 110 OUTLET	COM-1001	1
28	POWER SUPPLY BOX ON/OFF SWITCH	COM-1000	2
29	BATTERY BOX ASSEMBLY	BTB-AY325	1
30	BATTERY BOX	BTB-325	1
31	7AH BATTERY	BTY-1270	2
32	BATTERY BOX COVER	BTC-325	1
33	BATTERY WIRE HARNESS COMPLETE	BTY-H325	1
34	LOOP RACK	LPR-2	1
35	LOOP RACK WIRE HARNESS	LPR-H325	1
36	EXTERIOR PLASTIC COVER	EPC-325	1

ALL-O-MATIC, Inc.
 7820 Gloria Ave. Phone: (818) 787-1988
 Van Nuys CA, USA 91406
 EMAIL: fortino@allomatic.net

DIMENSIONS ARE IN INCHES
 BREAK SHARP EDGES 10-40
 MACHINED SURFACE FINISH IS
 1.6 MICROMETERS
 DO NOT SCALE DRAWING

THE INFORMATION DISCLOSED HEREIN WAS ORIGINATED BY
 AND IS THE PROPERTY OF ALL-O-MATIC, INC. AND ALL PATENT,
 PROPRIETARY, DESIGN, USE, SALE, MANUFACTURING, AND
 REPRODUCTION RIGHTS THERETO ARE RESERVED BY
 ALL-O-MATIC, INC.

DRAWN BY: S. HUERTA DATE: 01/14/2022 CHECKED BY: DATE CHECKED:
 MATERIAL: RAW MAT: TITLE: SW-325DC Assembly

SYMBOL	ECO#	ENGINEERING CHANGE ORDER REVISION DESCRIPTION	BY	CKD	DATE	SHEET 1 OF 3	SCALE: 1:4	DRAWING SIZE: C	PART#:

4

3

2

1

4

3

2

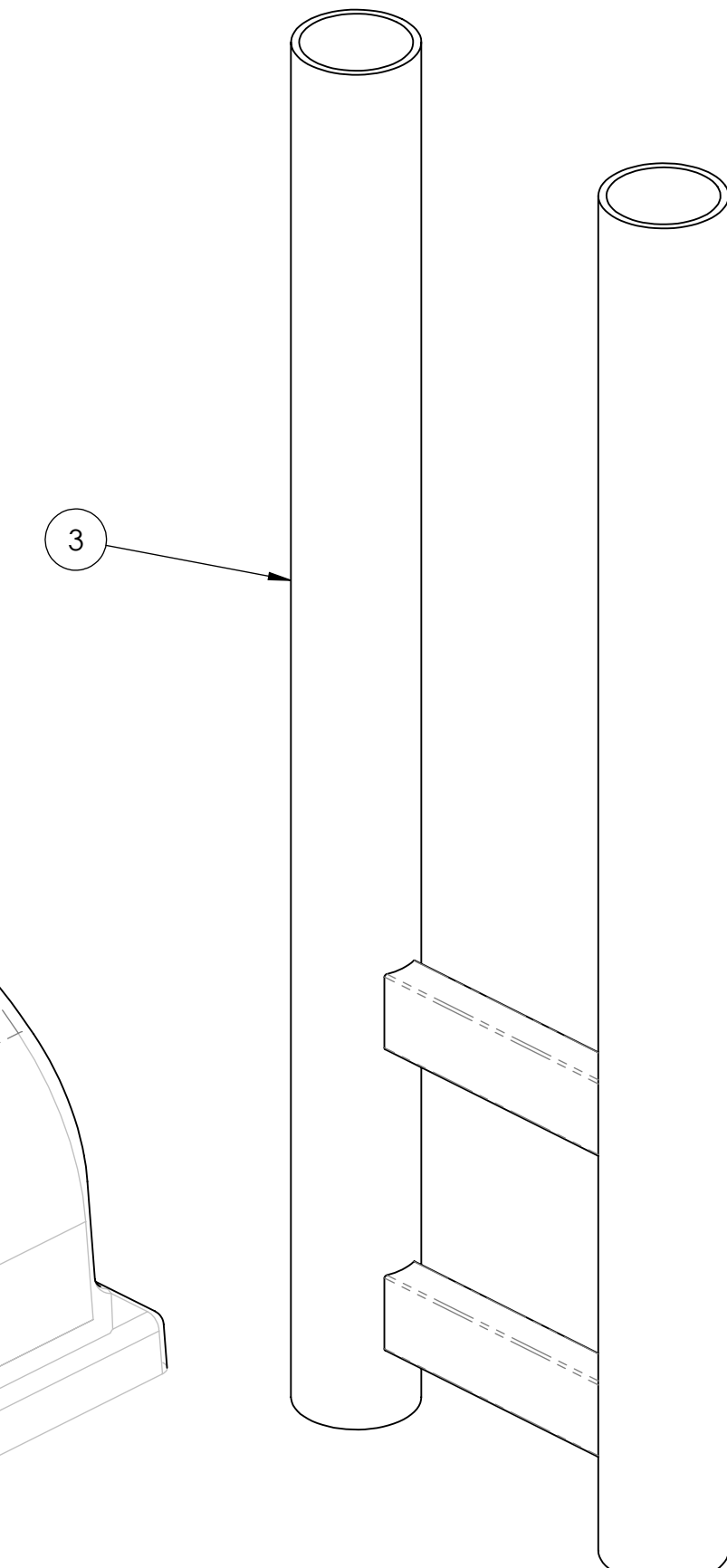
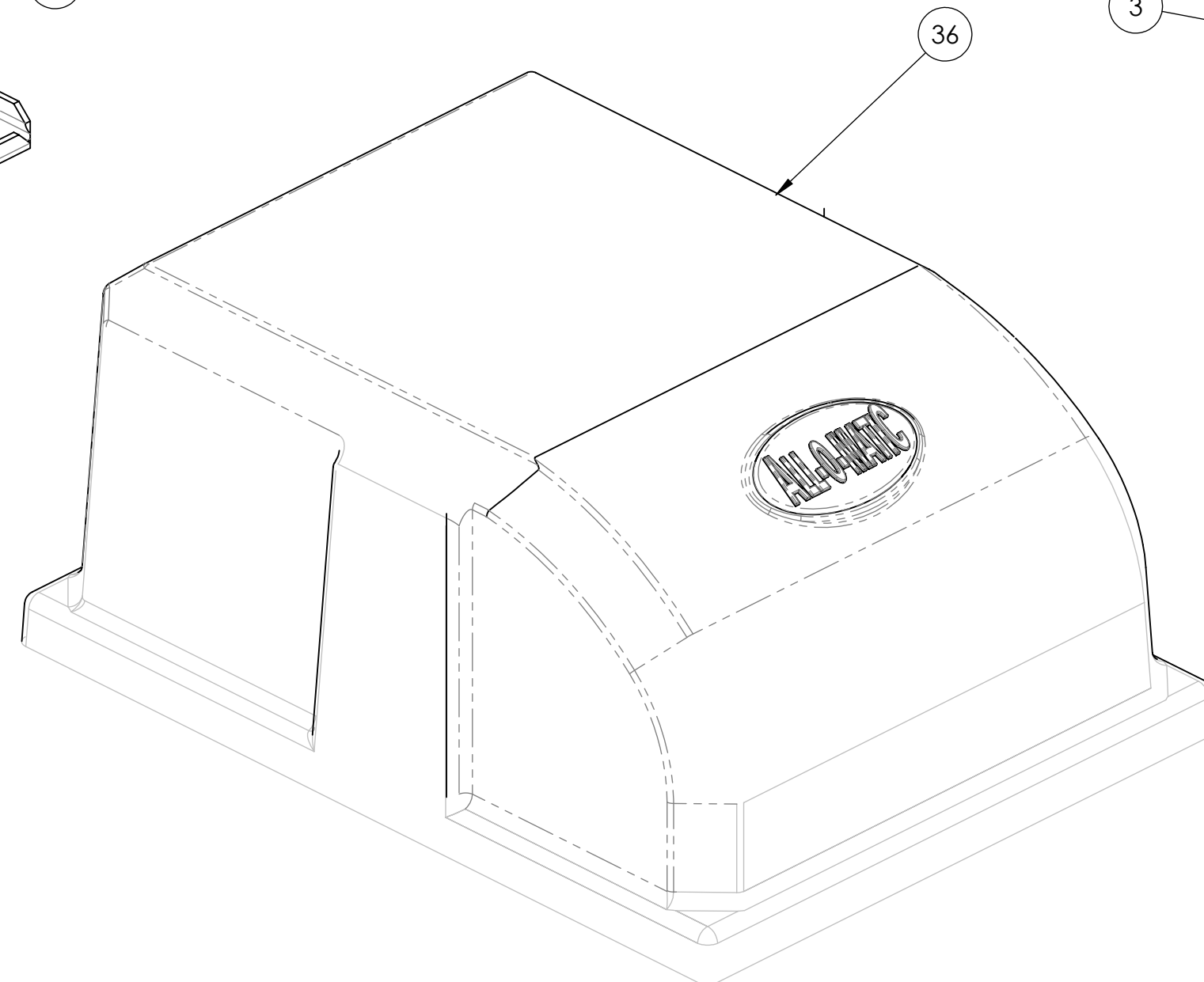
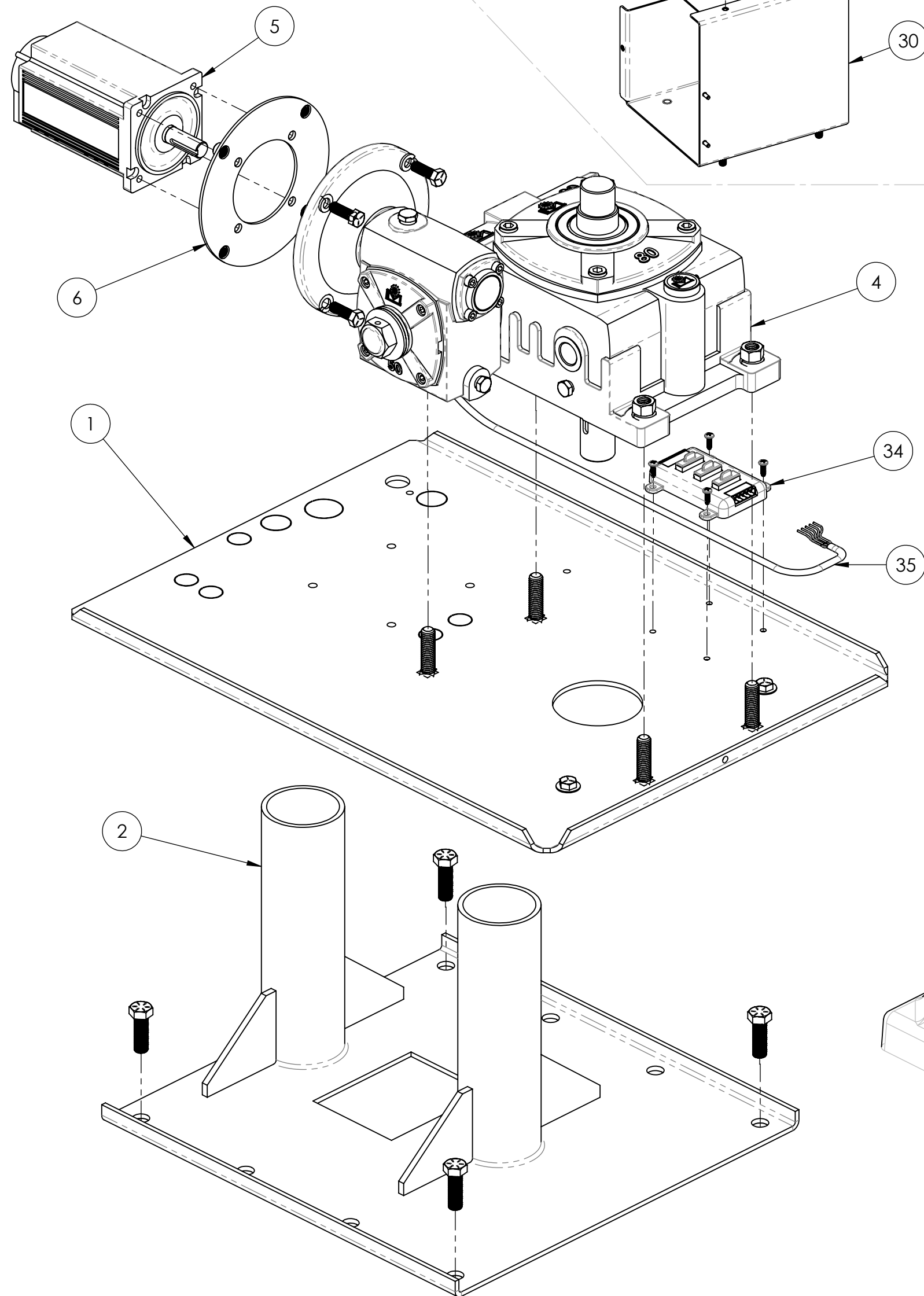
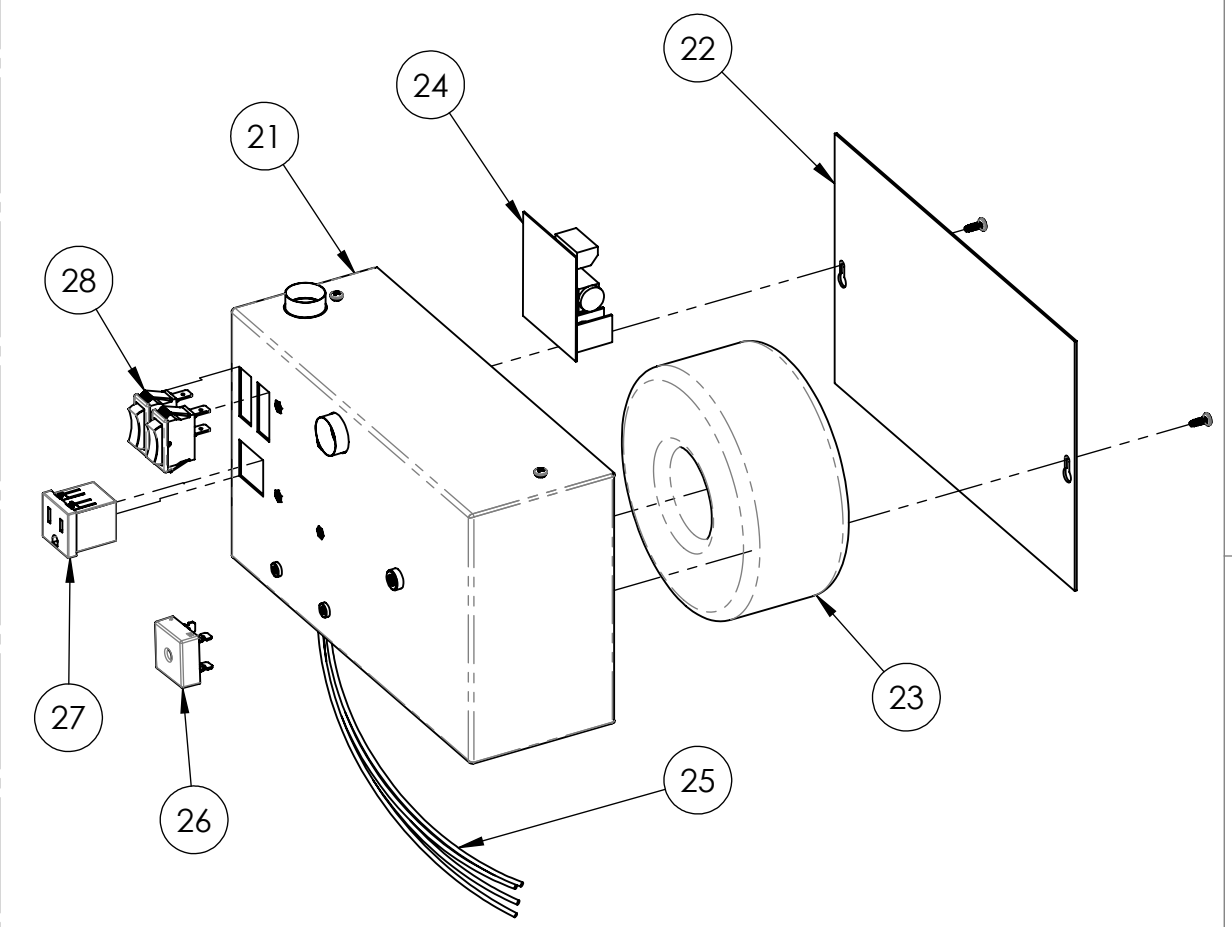
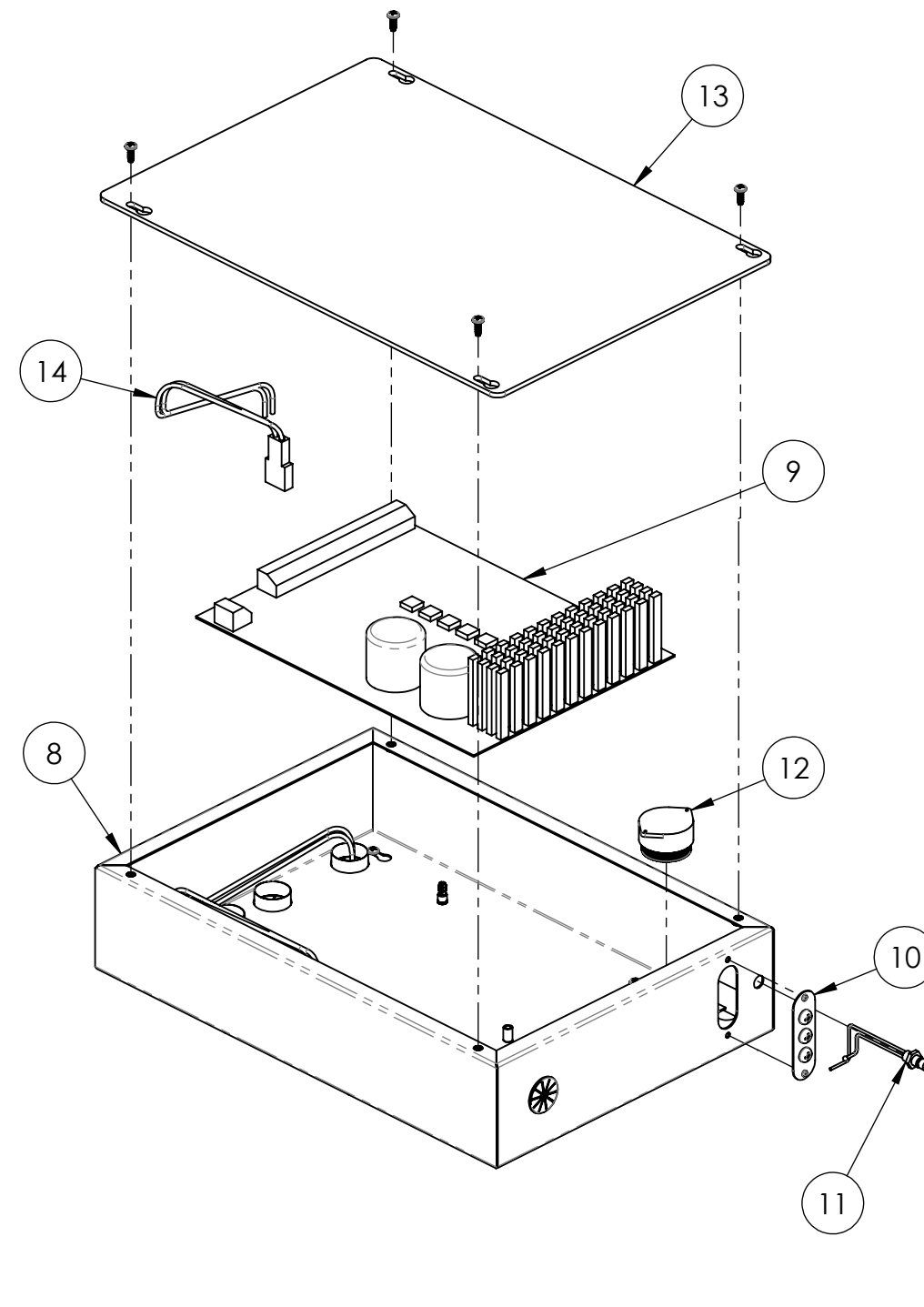
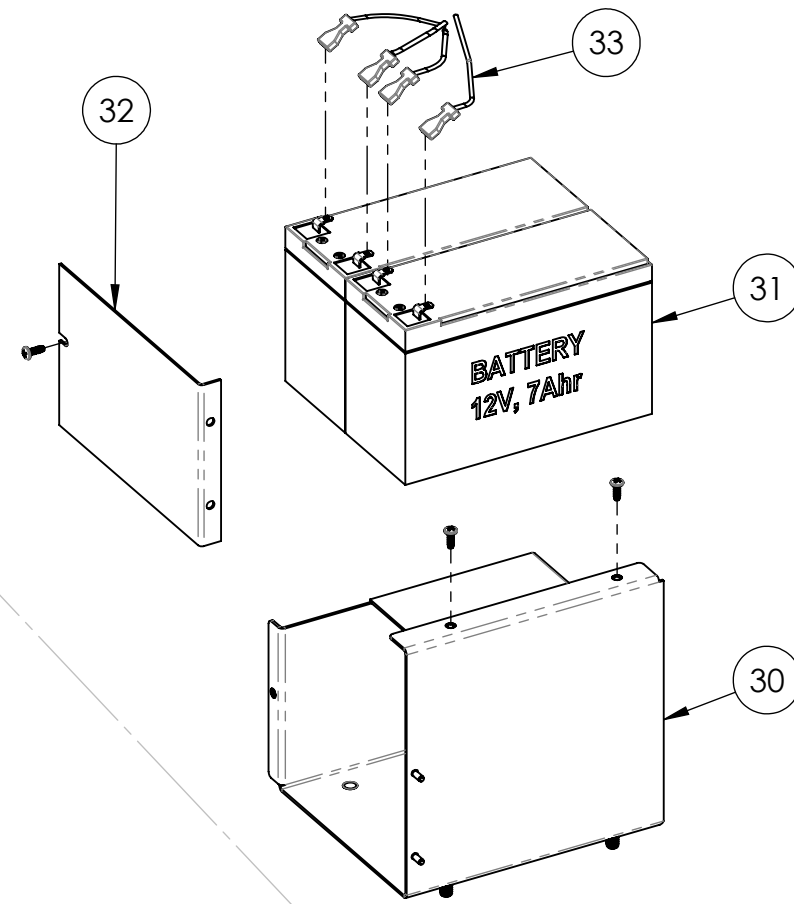
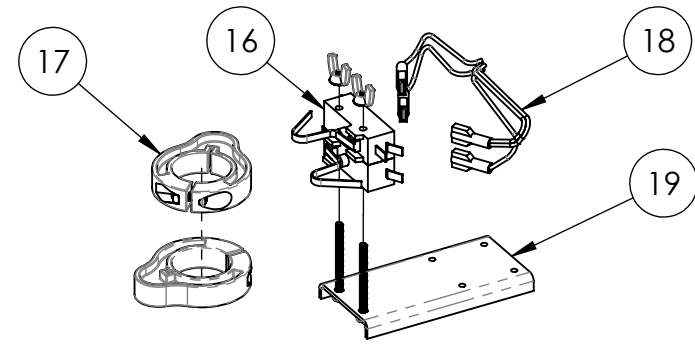
1

**LIMIT SWITCH ASSEMBLY:
LSA-AY325 (15)**

**BATTERY BOX ASSEMBLY:
BTB-AY325 (29)**

**CONTROL BOX ASSEMBLY:
CBX-AY325 (7)**

**POWER SUPPLY BOX ASSEMBLY:
PSB-AY325 (20)**



4

3

2

1

D

D

C

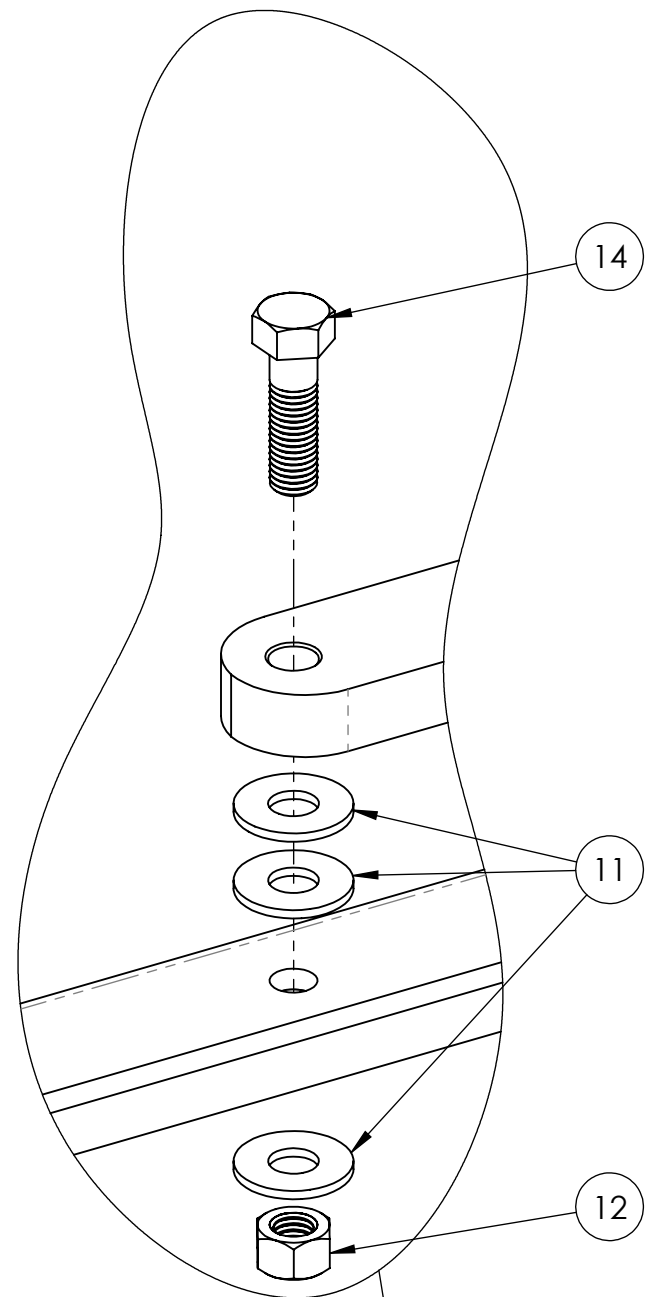
C

B

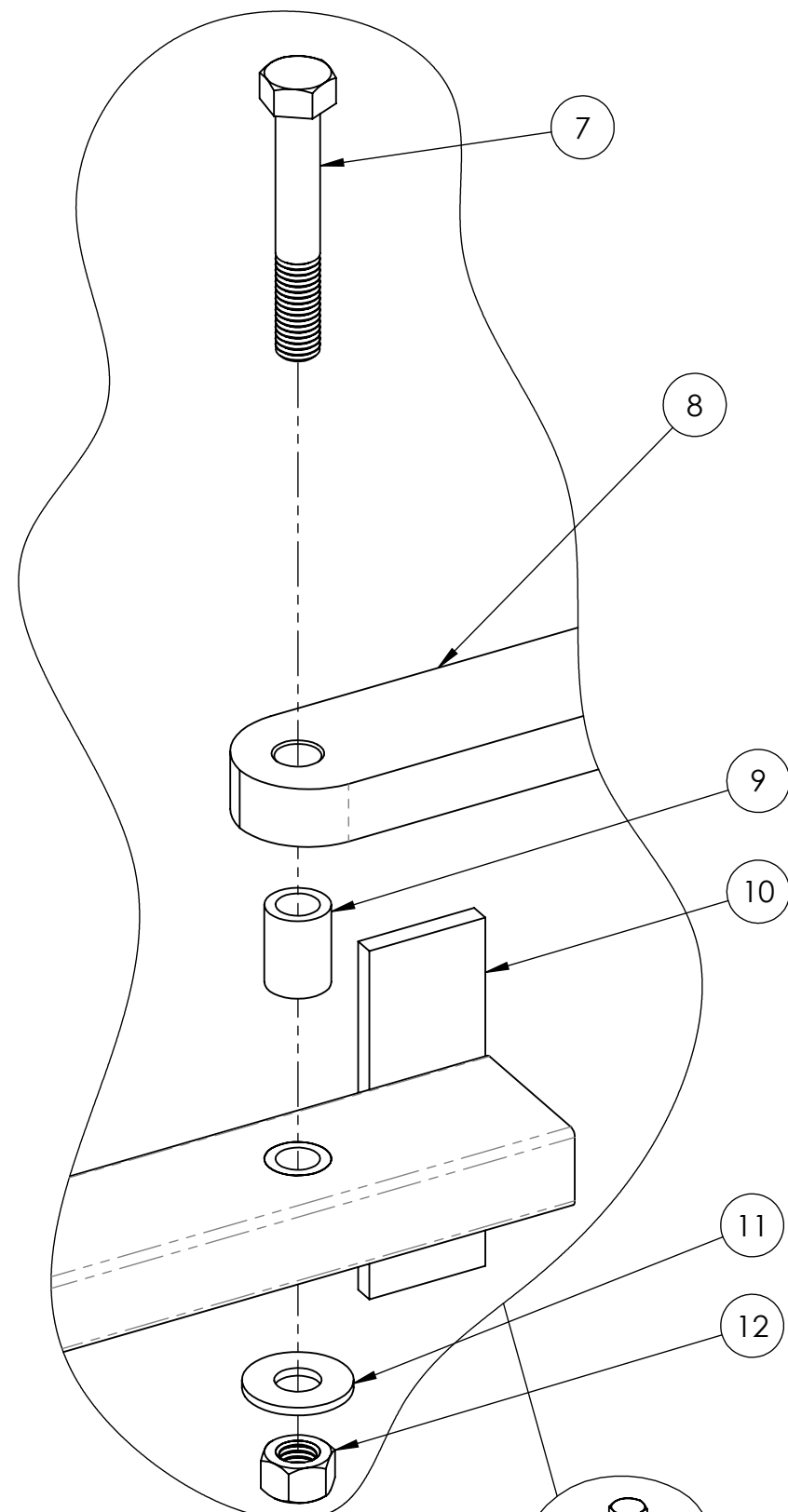
B

A

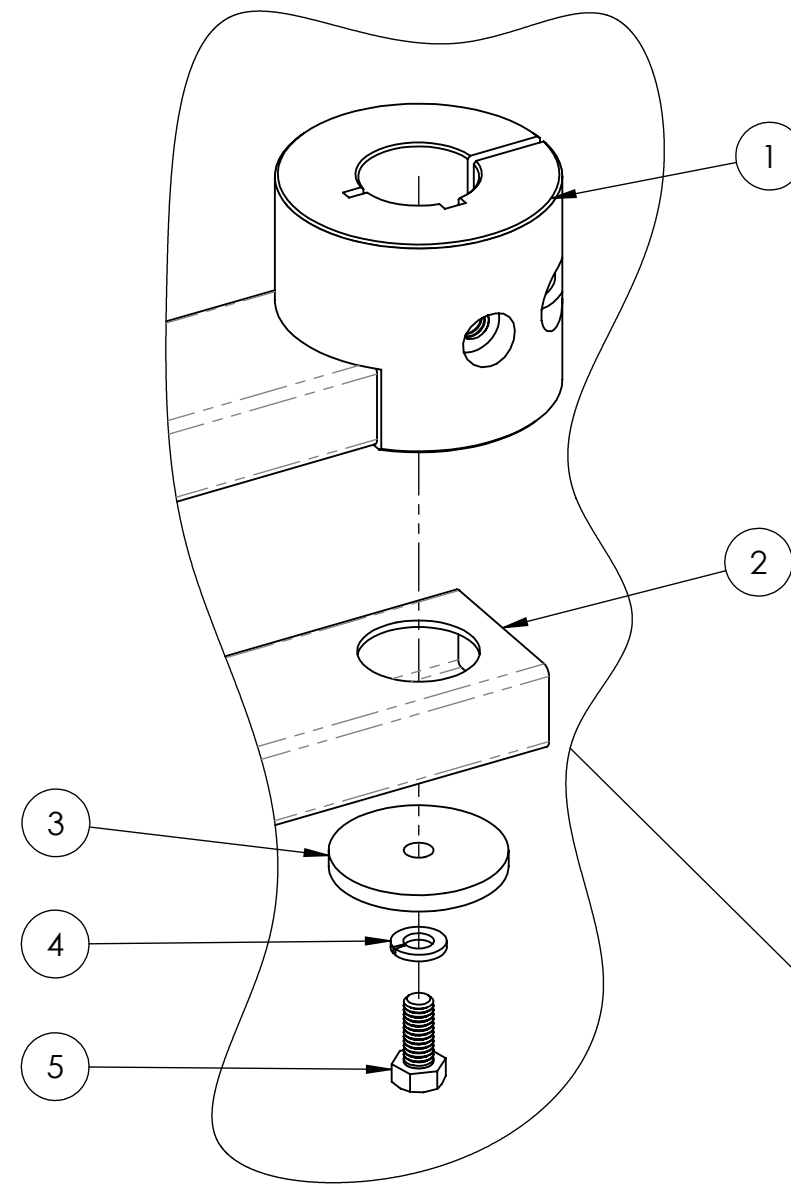
A



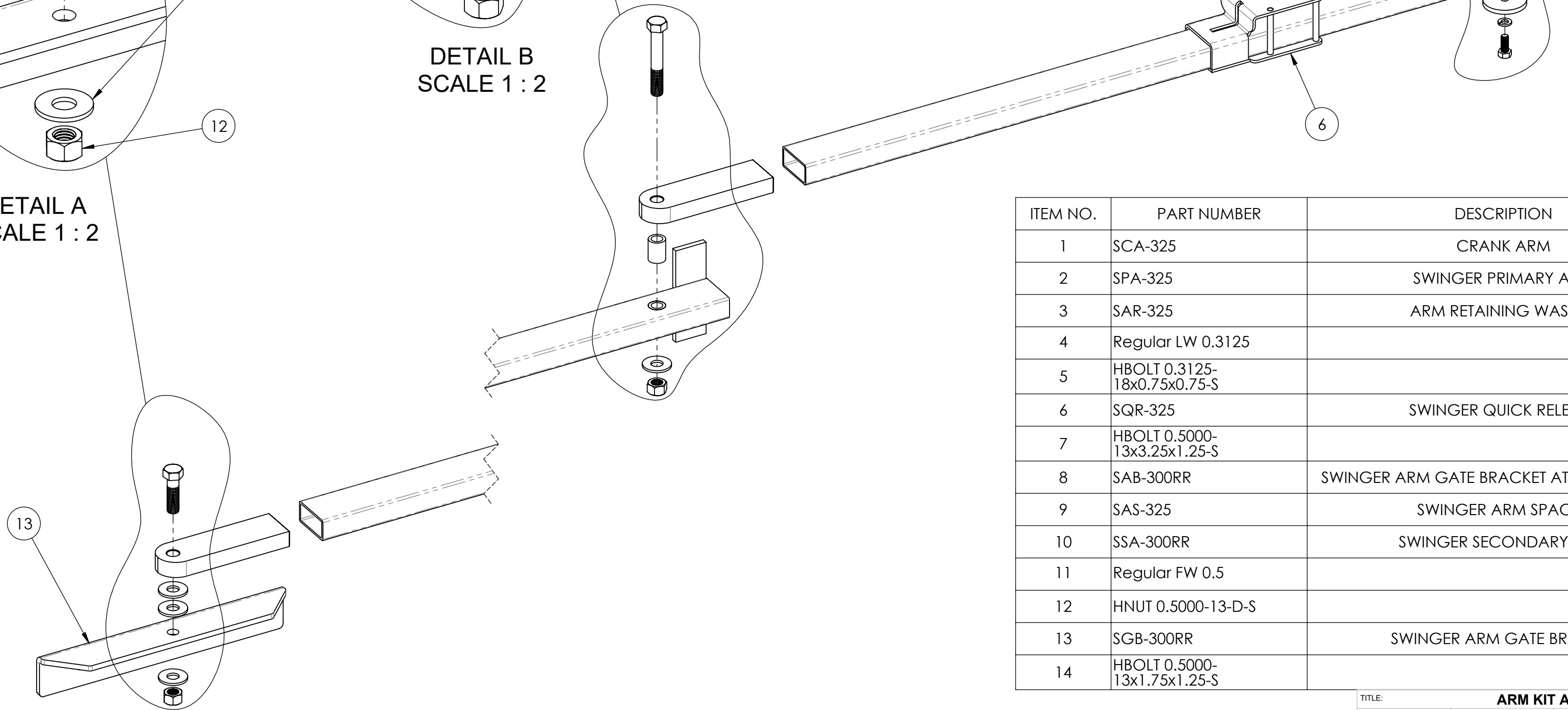
DETAIL A
SCALE 1 : 2



DETAIL B
SCALE 1 : 2



DETAIL C
SCALE 1 : 2



ITEM NO.	PART NUMBER	DESCRIPTION	QTY.
1	SCA-325	CRANK ARM	1
2	SPA-325	SWINGER PRIMARY ARM	1
3	SAR-325	ARM RETAINING WASHER	1
4	Regular LW 0.3125		1
5	HBOLT 0.3125-18x0.75x0.75-S		1
6	SQR-325	SWINGER QUICK RELEASE	1
7	HBOLT 0.5000-13x3.25x1.25-S		1
8	SAB-300RR	SWINGER ARM GATE BRACKET ATTACHMENT BAR	2
9	SAS-325	SWINGER ARM SPACER	1
10	SSA-300RR	SWINGER SECONDARY ARM	1
11	Regular FW 0.5		4
12	HNUT 0.5000-13-D-S		2
13	SGB-300RR	SWINGER ARM GATE BRACKET	1
14	HBOLT 0.5000-13x1.75x1.25-S		1

4

3

2

1