

4

3

2

1

D

D

C

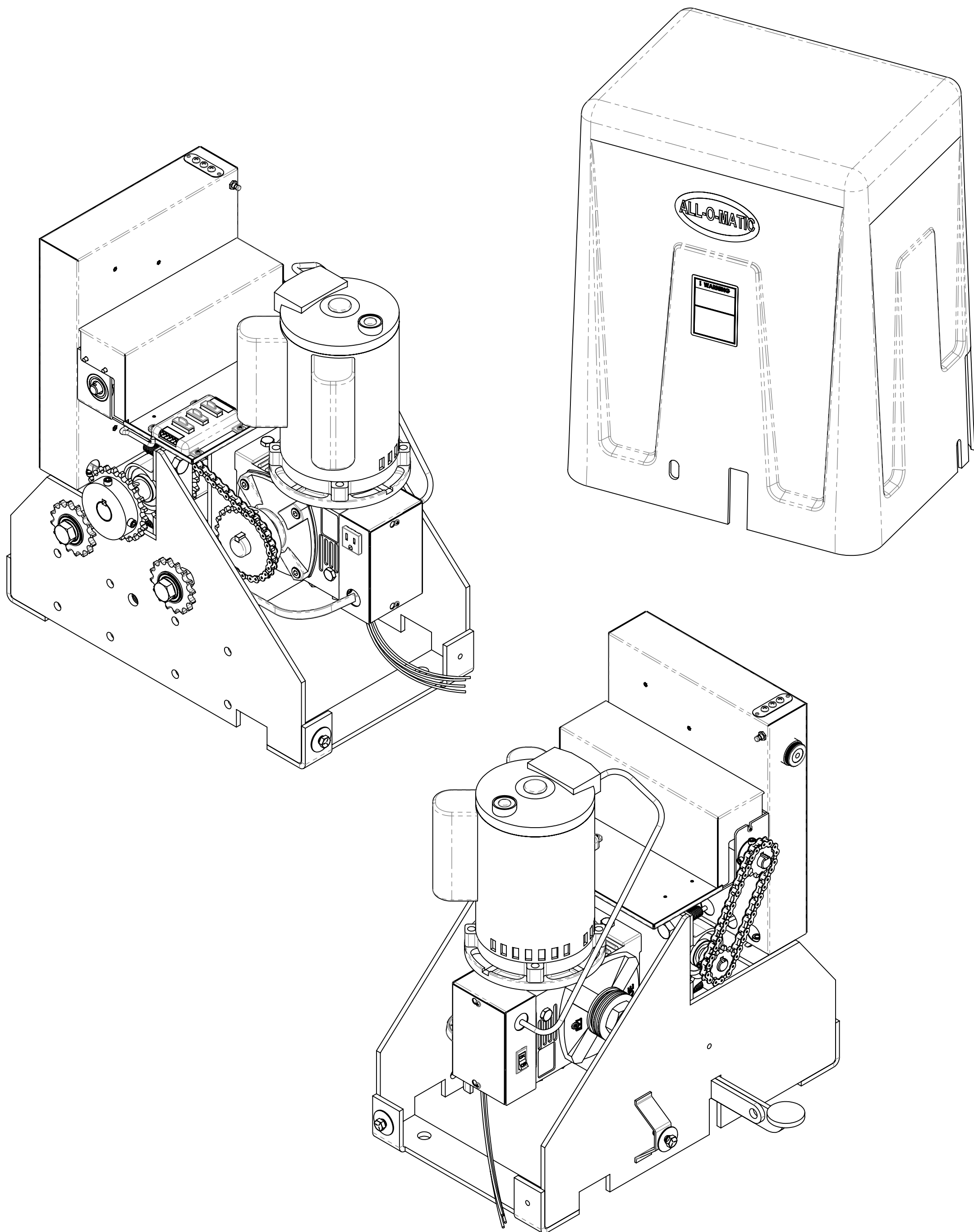
C

B

B

A

A



ITEM NO.	DESCRIPTION	PART NUMBER	QTY.
1	FRAME ONLY	SL-151FM	1
2	GEAR BOX	GBX-150	1
3	GEAR BOX AND MAIN DRIVE SPROCKET	40B22X1	2
4	GEARBOX DRIVE SPROCKET CHAIN	40NPX20	1
5	1/2 HP DUAL CAP AC MOTOR	MTR-1051	1
6	1 HP DUAL CAP AC MOTOR	MTR-1100	1
7	DUAL CAP AC MOTOR WIRE HARNESS	MTR-H1051	1
8	CONTROL BOX ASSEMBLY	CBX-AY151	1
9	CONTROL BOX	CBX-151	1
10	CONTROL BOX COVER	CBC-151	1
11	CONTROL BOX AC CONTROL BOARD	ACPCB-UL	1
12	CONTROL BOX 14 PIN TERMINAL STRIP	COM-1002	1
13	CONTROL BOX RADIO RECEIVER STRIP	COM-1003	1
14	CONTROL BOX RESET PUSH BUTTON	COM-1004	1
15	CONTROL BOX ALARM BUZZER	COM-1005	1
16	LIMIT SHAFT AND SWITCH BOX ASSEMBLY	LSA-AY151	1
17	Z BRACKET LIMIT SWITCH BOX	ZBT-151	1
18	LIMIT SWITCH BOX COVER	LSC-151	1
19	LIMIT SHAFT	LST-150	1
20	LIMIT SHAFT BEARING - 1/2"	BRG-6202A	1
21	LIMIT SHAFT BEARING - 5/8"	BRG-6202B	1
22	LIMIT SHAFT SPROCKET - 5/8"	41B10X5/8	2
23	LIMIT CHAIN	41NPX13	1
24	LIMIT SWITCH PLASTIC NUT	COM-1008	2
25	LIMIT SWITCH SPRINGS (2 PCS)	SPG-7575	2
26	LIMIT SWITCH	COM-1007	2
27	LIMIT SWITCH WIRE HARNESS	LSH-151	1
28	POWER SUPPLY ASSEMBLY	PSB-AY151	1
29	POWER SUPPLY BOX	PSB-151	1
30	POWER SUPPLY BOX COVER	PSC-151	1
31	POWER SUPPLY BOX ON/OFF POWER SWITCH	COM-1000	1
32	POWER SUPPLY BOX 110 OUTLET	COM-1001	1
33	POWER SUPPLY BOX WIRE HARNESS	PSH-151	1
34	CLUTCH AND DRIVE ASSEMBLY	DSA-AY150	1
35	MAIN DRIVE SHAFT	DST-150	1
36	MAIN DRIVE SHAFT PILLOW BLOCK BEARINGS	BRG-205P	2
37	MAIN DRIVE SHAFT DOG CLUTCH	DGC-150	1
38	MAIN DRIVE SHAFT DOG CLUTCH SPROCKET	40B18X1	1
39	MAIN DRIVE SHAFT SPRING	SPG-150	1
40	METAL CHAIN IDLER	41BB17	2
41	ACCESSORY SHELF PLATE	ASP-151	1
42	LOOP RACK	LPR-2	1
43	LOOP RACK HARNESS 17"	LPR-H151	1
44	EXTERIOR PLASTIC COVER	EPC-150	1
45	CHAIN BRACKET	COM-1009A	1
46	CHAIN BOLT	COM-1010-1	1
47	FOOT PEDAL RELEASE	FPR-150	1
48	FOOT PEDAL RELEASE KILL SWITCH	COM-1007P	1

ALL-O-MATIC, Inc.
 7820 Gloria Ave. Phone: (818) 787-1988
 Van Nuys CA, USA 91406
 EMAIL: fortino@allomatic.net

DIMENSIONS ARE IN INCHES
 BREAK SHARP EDGES 10-40
 MACHINED SURFACE FINISH IS
 1.6 MICROMETERS
 DO NOT SCALE DRAWING

THE INFORMATION DISCLOSED HEREIN WAS ORIGINATED BY
 AND IS THE PROPERTY OF ALL-O-MATIC, INC. AND ALL PATENT,
 PROPRIETARY, DESIGN, USE, SALE, MANUFACTURING, AND
 REPRODUCTION RIGHTS THERETO ARE RESERVED BY
 ALL-O-MATIC, INC.

DRAWN BY: S. HUERTA DATE: 09/08/2021 CHECKED BY: DATE CHECKED:
 MATERIAL:
 RAW MAT:

TITLE: **SL-150 AC**

SYMBOL	ECO#	ENGINEERING CHANGE ORDER REVISION DESCRIPTION	BY	CKD	DATE	SHEET	OF	SCALE	DRAWING SIZE	PART#
						1	2	1:10	C	

4

3

2

1

4

3

2

1

POWER SUPPLY ASSEMBLY: PSB-AY151 (28)

CONTROL BOX ASSEMBLY: CBX-AY151 (8)

LIMIT SWITCH AND SHAFT BOX: LSA-AY151 (16)

CLUTCH AND DRIVE ASSEMBLY: DSA-AY150 (34)

D

D

C

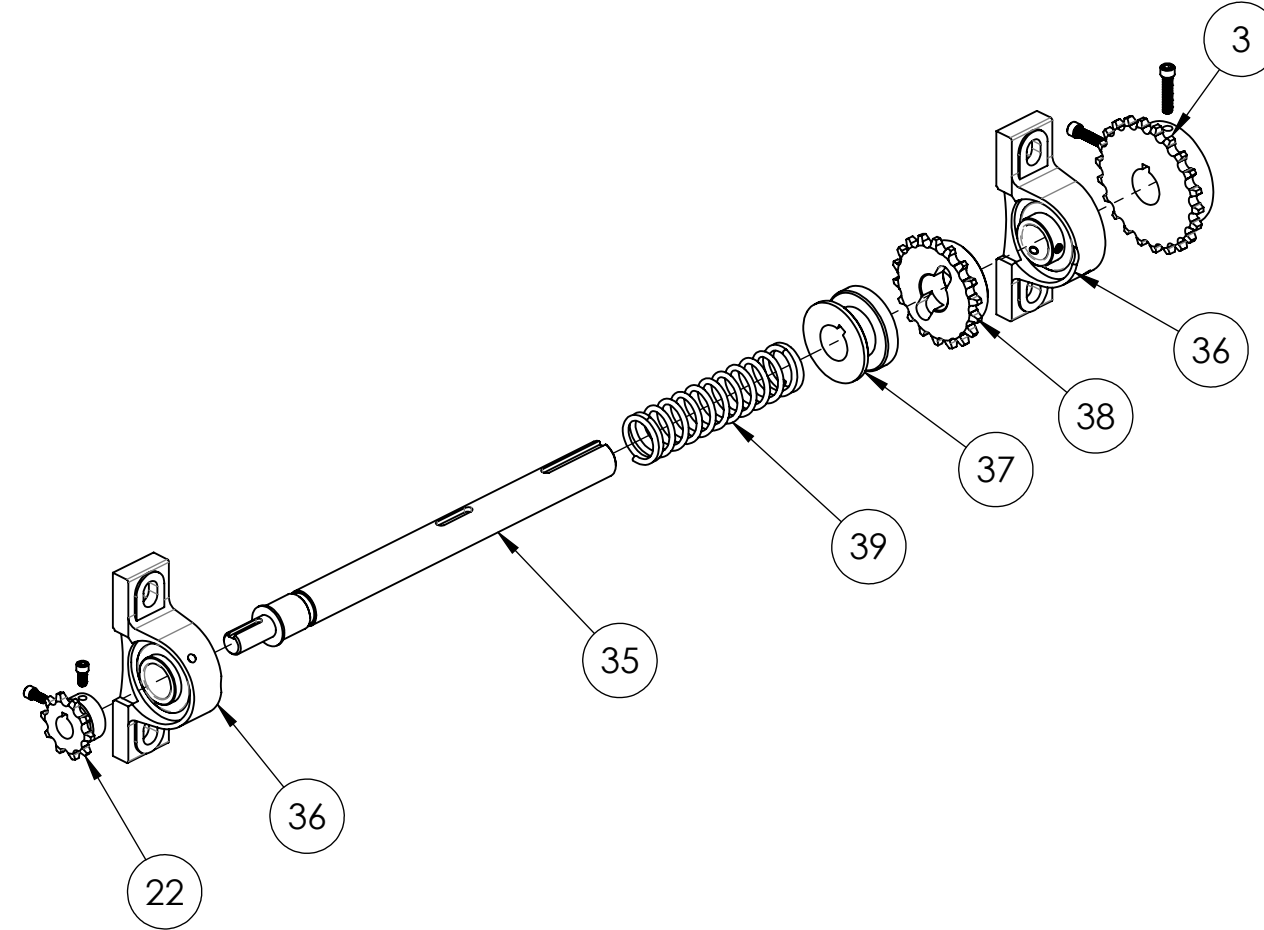
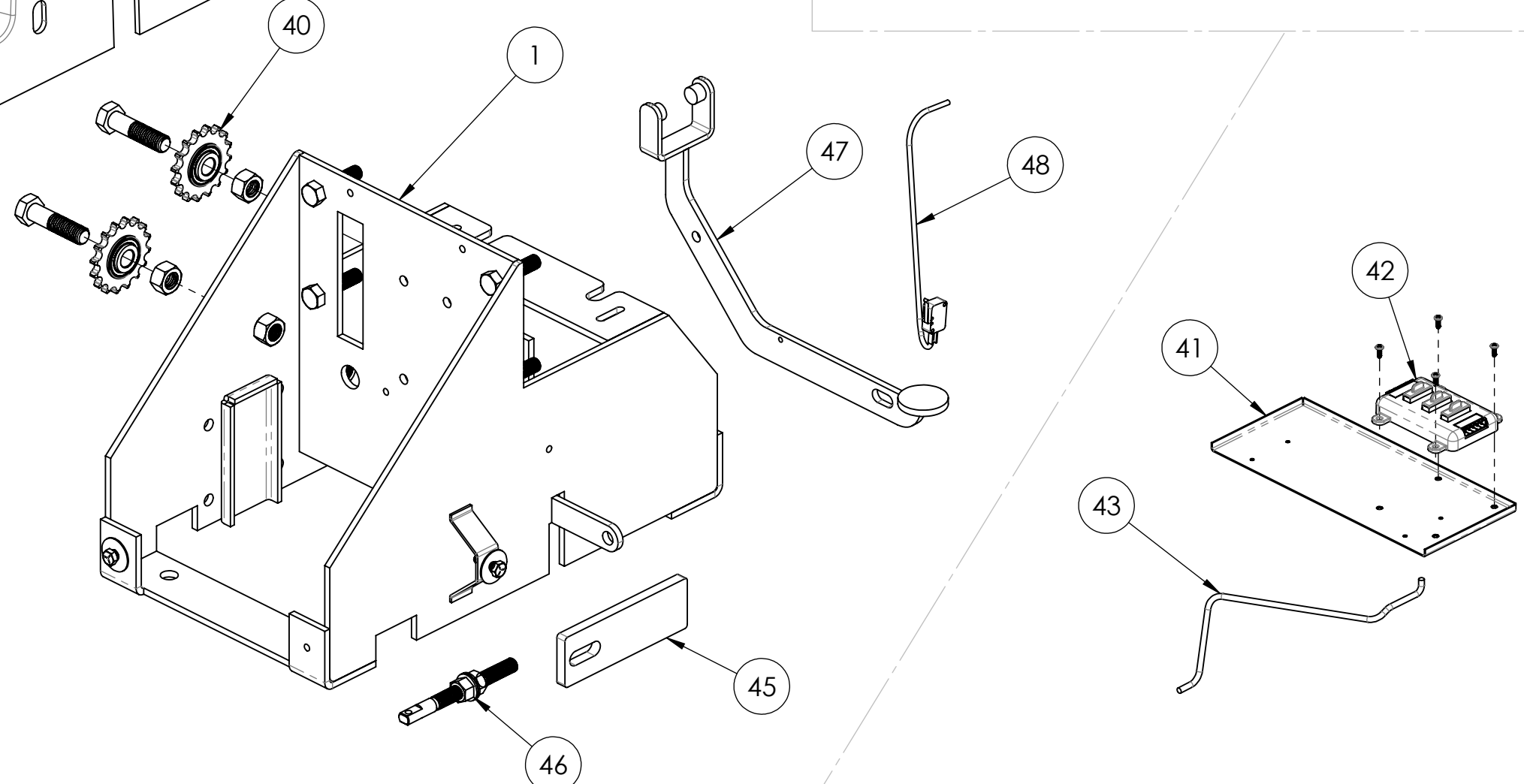
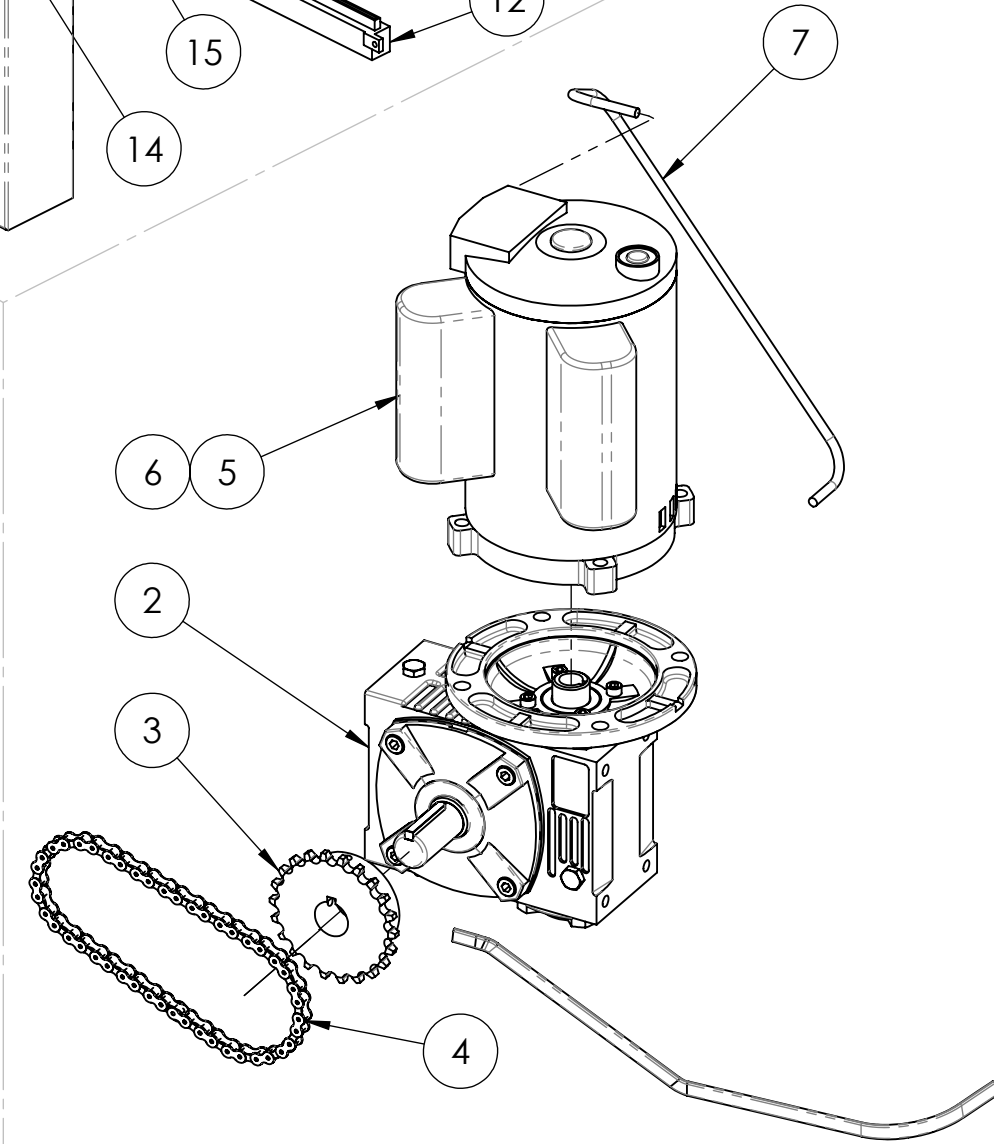
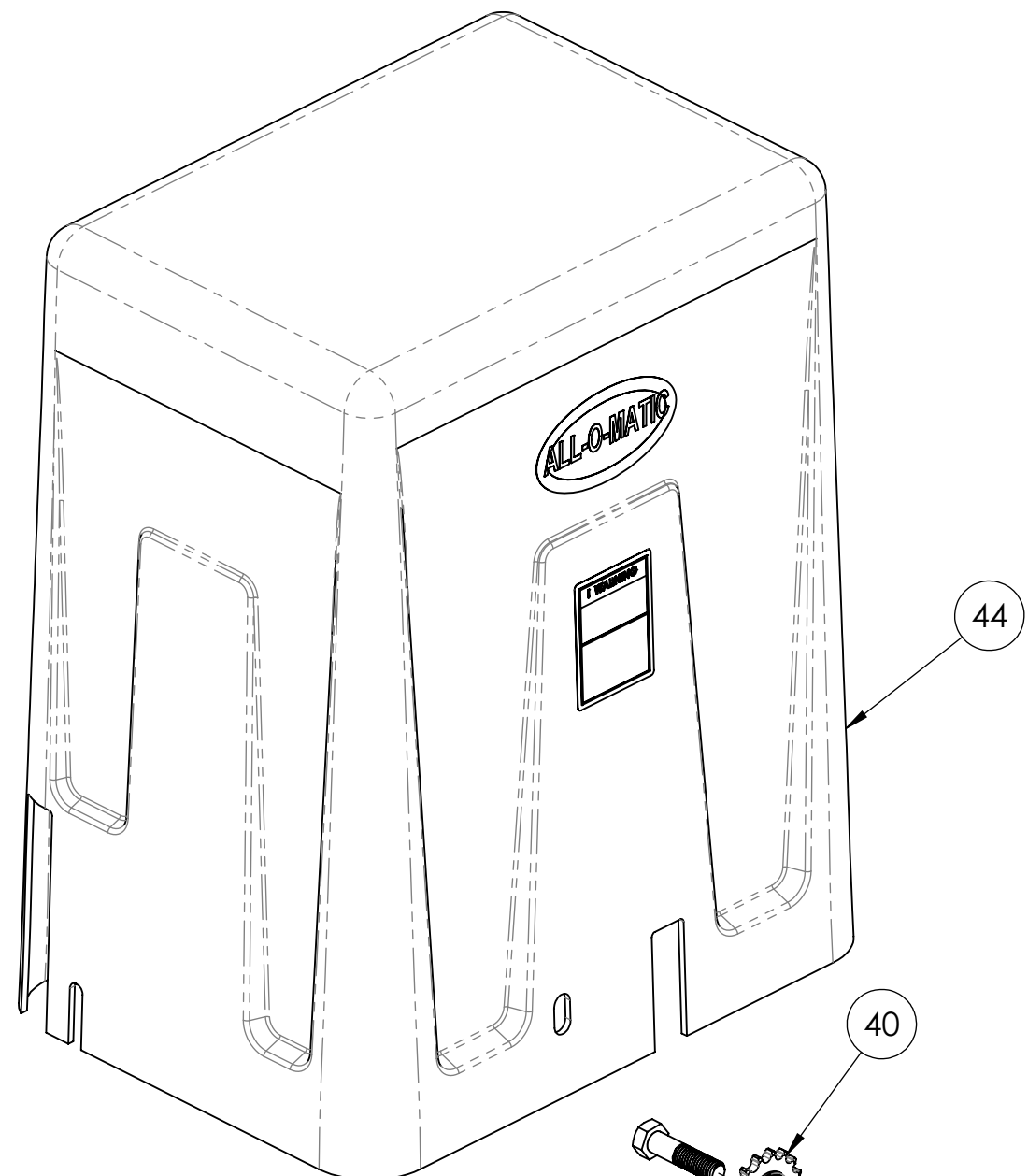
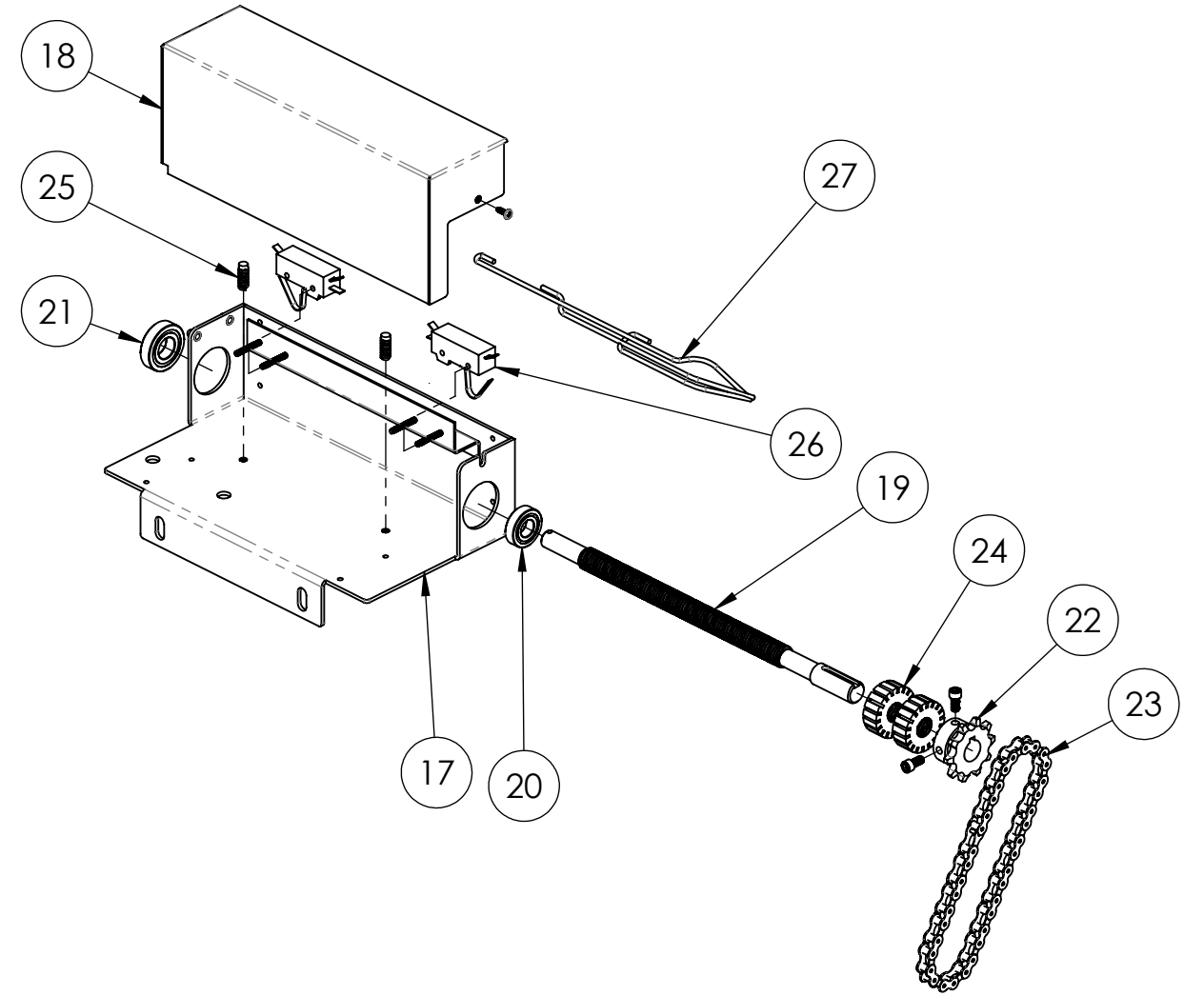
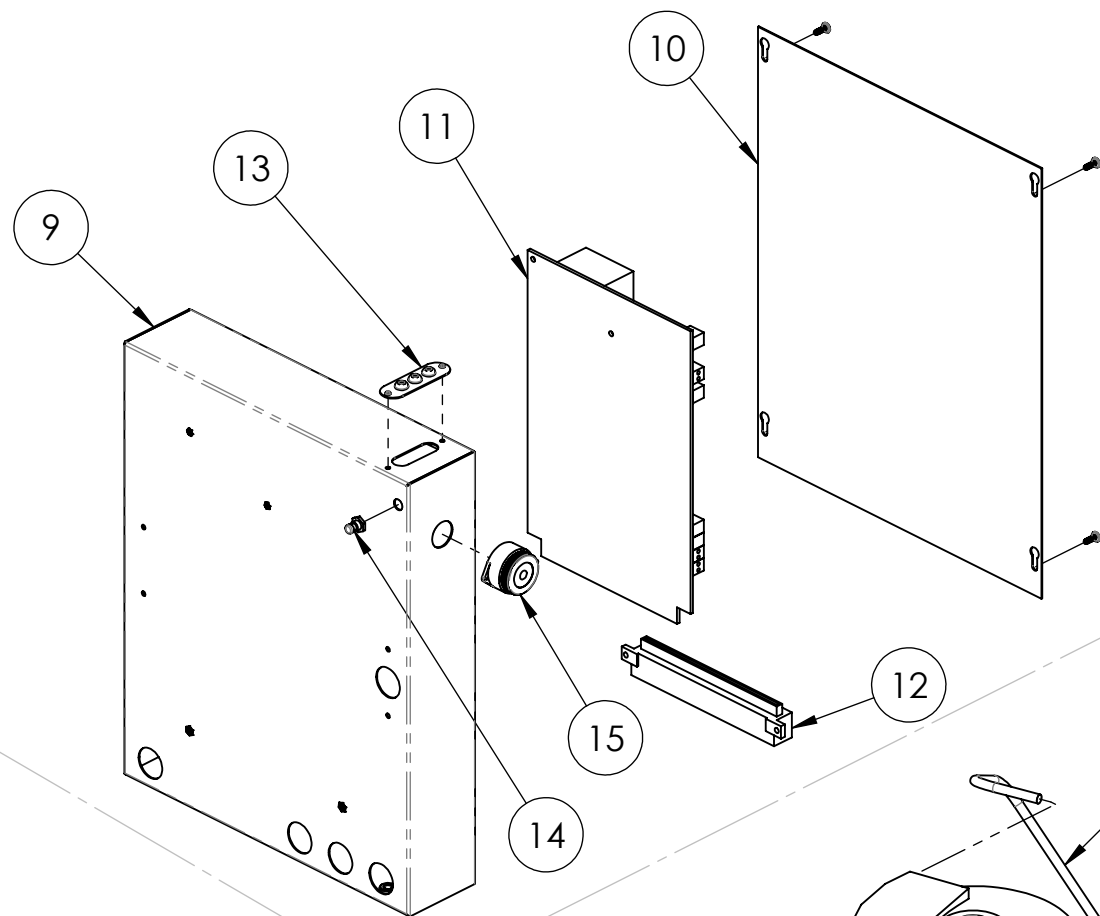
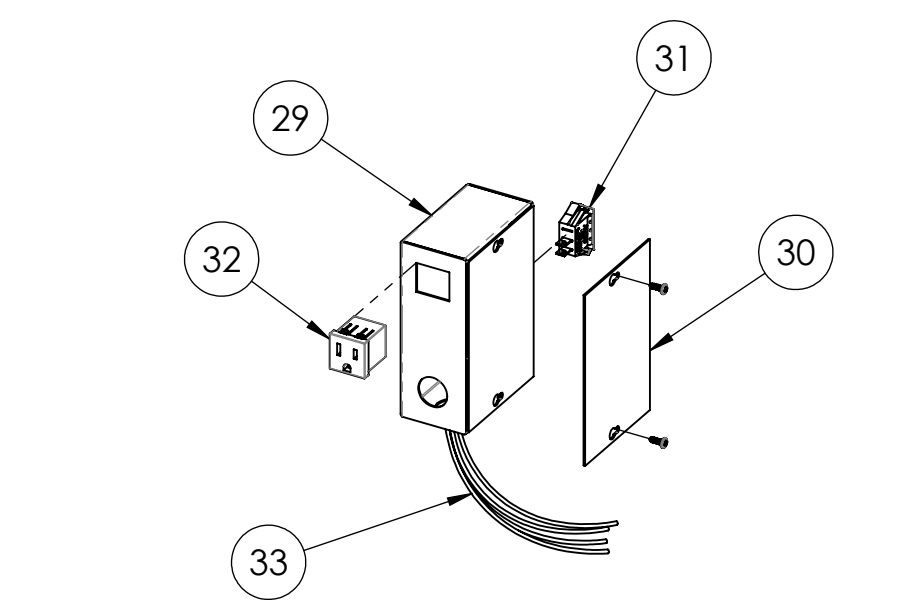
C

B

B

A

A



ALL-O-MATIC, Inc.
 7820 Gloria Ave. Phone: (818) 787-1988
 Van Nuys CA, USA 91406
 EMAIL: fortino@allomatic.net

DIMENSIONS ARE IN INCHES
 BREAK SHARP EDGES 10-40
 MACHINED SURFACE FINISH IS
 1.6 MICROMETERS
 DO NOT SCALE DRAWING

THE INFORMATION DISCLOSED HEREIN WAS ORIGINATED BY
 AND IS THE PROPERTY OF ALL-O-MATIC, INC. AND ALL PATENT,
 PROPRIETARY, DESIGN, USE, SALE, MANUFACTURING, AND
 REPRODUCTION RIGHTS THERETO ARE RESERVED BY
 ALL-O-MATIC, INC.

DRAWN BY: S. HUERTA DATE: 09/08/2021 CHECKED BY: DATE CHECKED:
 MATERIAL: RAW MAT:
 TITLE: **SL-150 AC**

SYMBOL	ECO#	ENGINEERING CHANGE ORDER REVISION DESCRIPTION	BY	CKD	DATE	SHEET 2 OF 2	SCALE: 1:5	DRAWING SIZE: C	PART#:

4

3

2

1