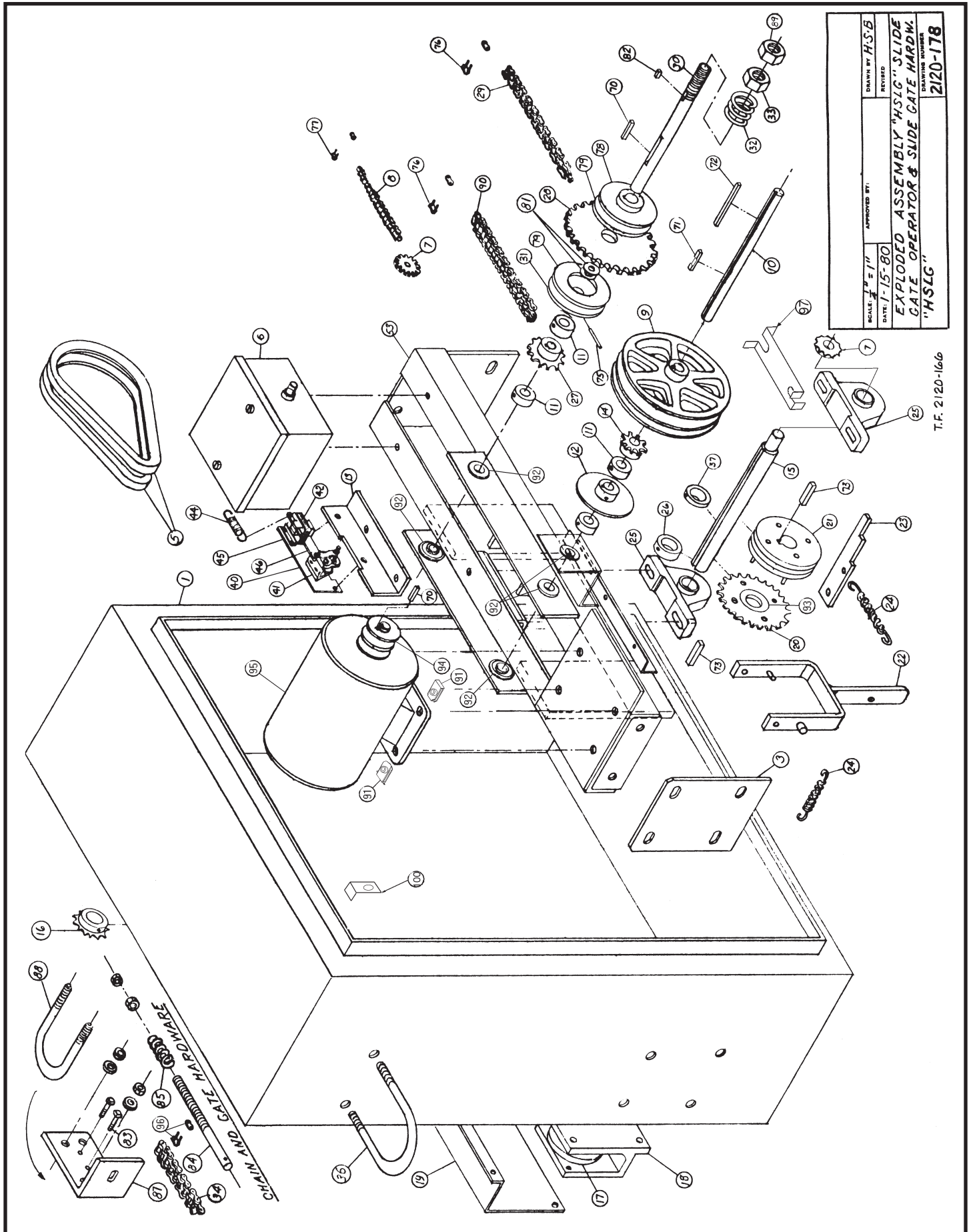


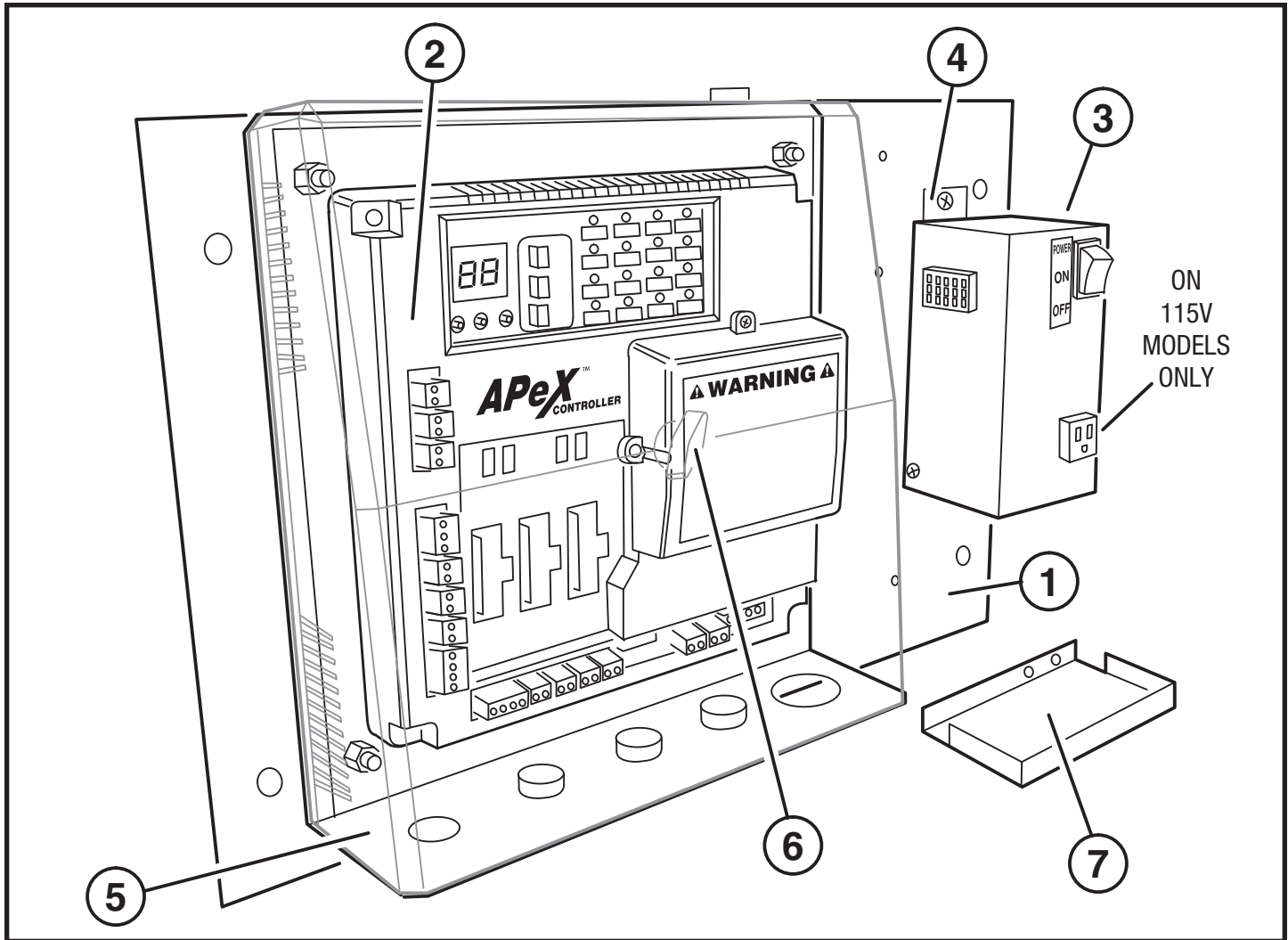
Model HSLG Exploded View



MODEL HSLG MECHANICAL PARTS LIST		
REF. #	PART #	DESCRIPTION
	2110-240	Intermediate Shaft Assembly
10	2100-765	Pulley Shaft
14	2200-213	Sprocket, 41-B-9, 5/8" bore
9	2200-309	Double Pulley, 7"
11	2200-233	Set Collar Set, 5/8"
92	2200-215	Precision Bearing, 5/8"
72	2200-333	Key, 3/16" x 1-1/2"
71	2100-1750	Key, 3/16" x 1-1/4"
12	2100-547	Brake Disc
	2110-274	Clutch Shaft Assembly
30	2100-1008	Clutch Shaft
28	2200-294	Sprocket, 41-A-36, 1" bore
31	2100-669	Clutch Hub (pinned)
78	2100-1007	Clutch Hub (keyed)
79	2100-564	Clutch Facing
32	2200-306	Clutch Spring
33	2400-061	Hex Nut, 5/8"-18
89	2400-062	Jam Nut, 5/8"-18
81	2400-187	Thrust Washer, 1" x 1/8"
	2400-088	Roll Pin, 3/16" x 1-3/8"
27	2200-292	Sprocket, 41-B-12, 5/8" bore
	2200-215	Precision Bearing, 5/8"
11	2200-233	Set Collar, 5/8"
70	2400-238	Key, 3/16" x 1-1/4"
82	2400-273	Key, 3/16" x 1/4"
	2110-236	Output Shaft Assembly
15	2100-917	Output Shaft, 1"
20	2220-022	Sprocket, 41-A-24 with Bearing
93	2200-119	Bearing only for 41-A-24 Sprocket
21	2110-131	Shifter Block with Pins
25	2200-274	Pillow Block Bearing, 1"
97	2100-1737	Pillow Block Retaining Plate
37	2200-014	Set Collar, 1" x 3/8" LTB
26	2200-091	Set Collar, 1" x 5/8" LTB
73	2400-201	Key, 1/4" x 1-1/2"
16	2200-968	Sprocket, 40-B-22, 1" bore
	2400-026	Spring Pin, 3/16" x 1" (Predrilled for Pillow Block)
18	2110-700	Idler Assembly
6	2520-173R	Rotary Limit Box Assembly
	2500-764	Limit Switch
	2100-057	Standard Limit Shaft
	2200-030	Limit Nut
	2100-261	Detent Plate
	2110-162	Limit Box Enclosure with Cover
	2100-756	Limit Box Cover only
	2200-029	Flange Bearing, 1/2" ID
	2200-193	E-Ring, 1/2"
	2400-203	Spring Washer, 1/2"
7	2200-008	Limit Drive Sprocket, 48-B-10, 1/2" bore
		<i>For Drives up to 30 feet wide:</i>
	2200-008	Limit Box Sprocket, 48-B-10, 1/2" bore
	2200-654	#48 Chain, per foot, 27 Links required
		<i>For Drives from 31 to 45 feet wide:</i>
	2200-041	Limit Box Sprocket, 48-B-15, 1/2" bore
	2200-654	#48 Chain, per foot, 29 Links required
		<i>For Drives over 45 feet wide:</i>
	2200-276	Limit Box Sprocket, 48-B-20, 1/2" bore
	2200-654	#48 Chain, per foot, 30 Links required
34	2200-202	#40 Chain, per foot
36	2400-038	U-Bolt, 4-5/8"

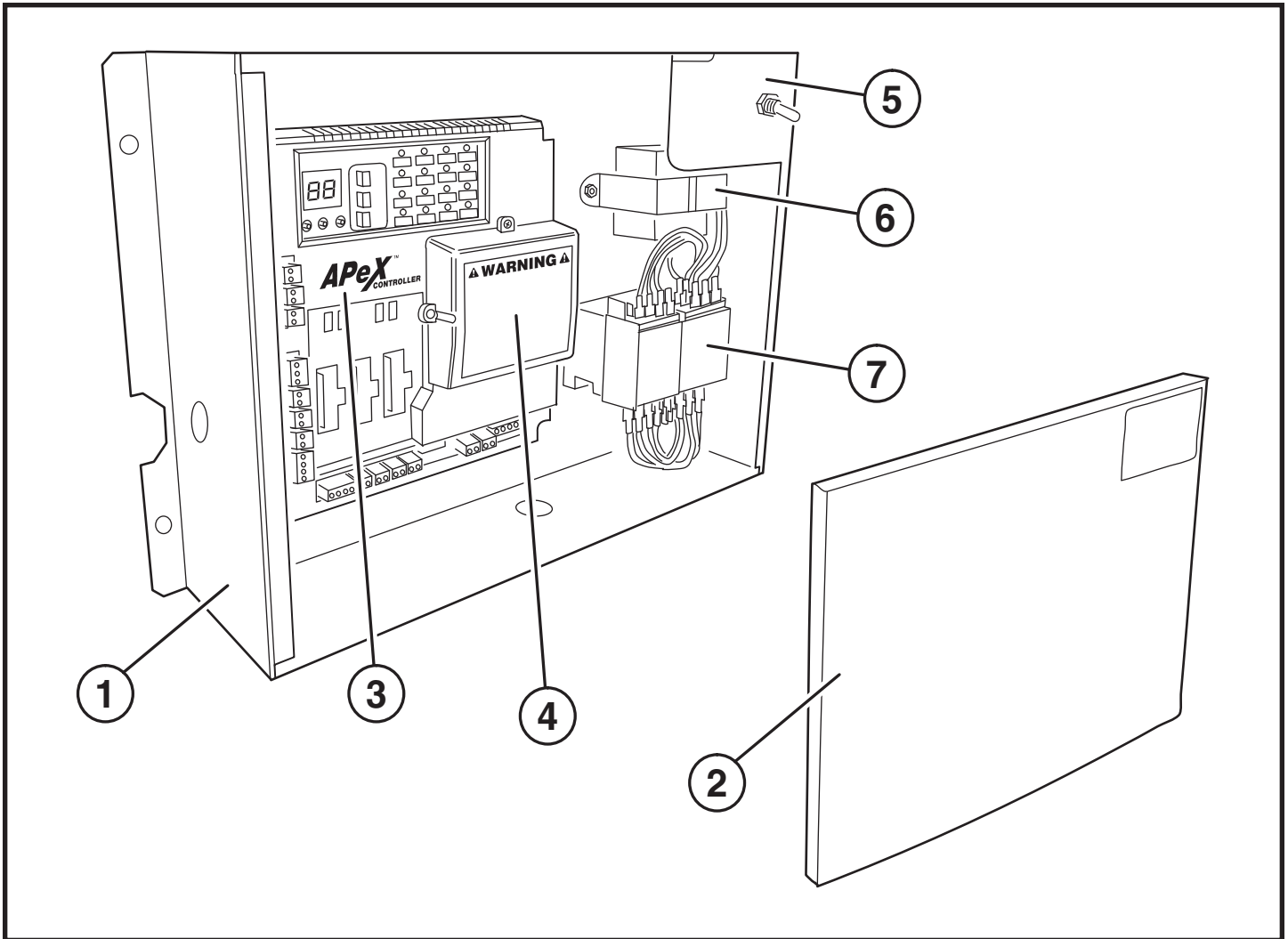
REF. #	PART #	DESCRIPTION
		MOTORS
	2500-2307	1/2 HP, 115 VAC, 1 Phase
	2500-2308	1/2 HP, 208/230 VAC, 1 Phase
	2500-2309	3/4 HP, 115 VAC, 1 Phase
	2500-2310	3/4 HP, 208/230 VAC, 1 Phase
95	2500-2311	1 HP, 115 VAC, 1 Phase
	2500-2312	1 HP, 208/230 VAC, 1 Phase
	2500-2313	1/2 HP, 208/230/460V, 3 Phase
	2500-2314	3/4 HP, 208/230/460V, 3 Phase
	2500-2315	1 HP, 208/230/460V, 3 Phase
		CAPACITORS
	2500-2336	Capacitor for 2500-2307 Motor
	2500-2337	Capacitor for 2500-2308 Motor
	2500-1926	Capacitor #1 for 2500-2309 Motor
	2500-1930	Capacitor #2 for 2500-2309 Motor
	2500-1931	Capacitor for 2500-2310 Motor
	2500-2338	Capacitor for 2500-2311 Motor
	2500-1932	Capacitor for 2500-2312 Motor
		MAGNETIC BRAKES (INCLUDES 41, 42, 44, 45 AND 46)
40	2510-398	115V
	2510-399	230V
	2510-400	460V
41	2220-983	Brake and Puck Assembly
42	2500-177	Brake Solenoid, 230 VAC
	2500-178	Brake Solenoid, 115 VAC
	2500-1351	Brake Solenoid, 460 VAC
44	2200-243	Brake Spring (short)
46	2100-548	Brake Rod
45	2100-541	Brake Plate
13	2100-2091	Bracket for Brake
1	2120-359-BT	Enclosure Assembly Complete with Door
	2120-360-BT	Door Assembly only
	2300-716	Stop/Reset Button Cover
	2110-643	Lock Assembly with Keys
	2200-540	Replacement Key
53	2110-234	Rail Assembly
3	2100-573	Spacer Plate
94	2200-207	Double Pulley, 2"
29	2400-149	Chain, #41, 30 Links
22	2120-132	Shifter Lever
23	2100-910	Locking Disconnect Lever
24	2200-291	Disconnect Spring
19	2100-657-BT	Rain Cover
75	2400-088	Roll Pin
87	2100-2007	Gate Bracket
88	2400-170	U-Bolt, 3"
84	2100-258	Chain Tension Bolt, 1/2"
85	2200-306	Clutch/Chain Tension Spring
86	2400-090	Hex Nut, 1/2"-13 (4)
	2400-045	Flat Washer, 1/2"
5	2200-234	V-Belt, 28"
	2100-553	Bearing Spacer
90	2200-150	#41 Chain, per foot (20 links required)
76	2200-027	#41 Master Link
	2100-656-BT	Side Plate, 1/2"
	2100-059-BT	Side Plate, 3/16"
96	2200-006	#40 Master Link
8	2200-654	#48 Chain, per foot (27 links required)
77	2200-010	#48 Master Link
91	2400-422	5/16-18 U-Nut (4)
100	2510-248	Stop/Reset Button and Bracket Assembly
	2100-1760	Stop/Reset Button Mounting Bracket
	2500-1495	Stop/Reset Button

Single Phase Controller Parts List



SINGLE PHASE CONTROLLER MECHANICAL PARTS LIST		
REF. #	PART #	DESCRIPTION
1	2100-1756	Mounting Plate
2	2500-2393	Apex Module
3	2510-422	115V Power Box Assembly
	2510-430	208/230V Power Box Assembly
4	2100-2143	Power Box Mounting Strap
5	2300-1025	Apex Plastic Cover
6	2510-423	Cover Knob Kit
7	2100-1781	Accessory Shelf
8	2520-525	Complete Wiring Harness Assembly (not shown)

Three Phase Controller Parts List



THREE PHASE CONTROLLER MECHANICAL PARTS LIST		
REF. #	PART #	DESCRIPTION
1	2520-530	Control Box Assembly (Complete) 208/230V
	2520-531	Control Box Assembly (Complete) 460V
	2110-840	Control Box Assembly (Box only)
2	2100-582	Cover
3	2500-2393	Apex Module
4	2500-1980	Motor Board
5	2500-034	Power Switch
6	2500-767	Transformer 208/230V
	2500-768	Transformer 460V
7	2500-2084	Contactor